

INKA[®]
FIXING SYSTEMS

| *TRUE SOLUTION*

**COMPANY
PRESENTATION**

inkafixing.com



General Company Information



Establishment: 1986

Owner: 100% Private

Turnover: ca. 44 mio € / 2022

Employees: 260 (35% Women)

Engineers: 27 Engineers

Floor Area: 14.000 m²



Certificates



IATF 16949:2016



ISO 9001:2015



GOST R - EAC



EN ISO 3834-2
Welding



ISO 14001:2015



ISO 45001:2018



FM Approval

for MSS pipe
supporting products



UL Listed

for hangers and pipe
supporting products



MPA-CE (EN 877)

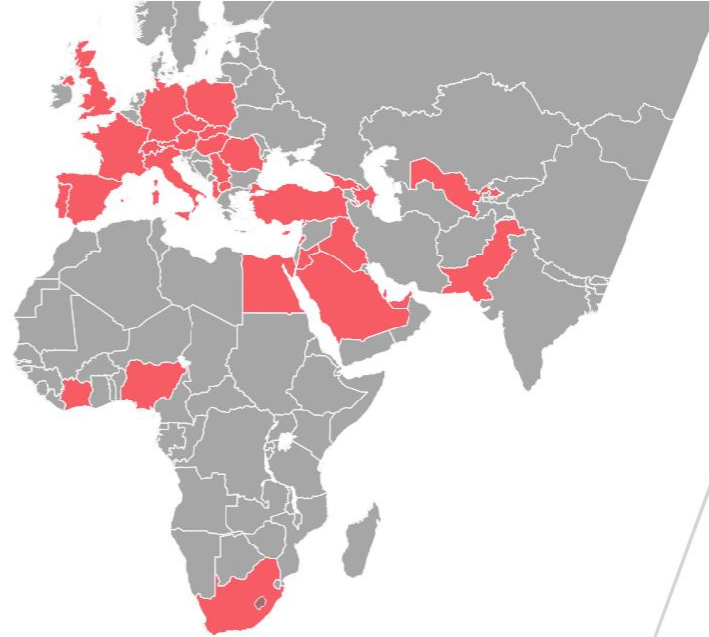
for RAPID and
CV couplings

Sales Overview

Export Sales are 80% and Domestic Sales are 20% of total turnover

About 80% of its Exports go to **Europe**

20% is made to the **Middle East, CIS** and **Africa**



Project



APQP Project management via **canias^{ERP}** which provides integration of **ERP, MRP, CRM, Task, Project and Document Management**

Expert and well organized engineering team from design to production

Abilities

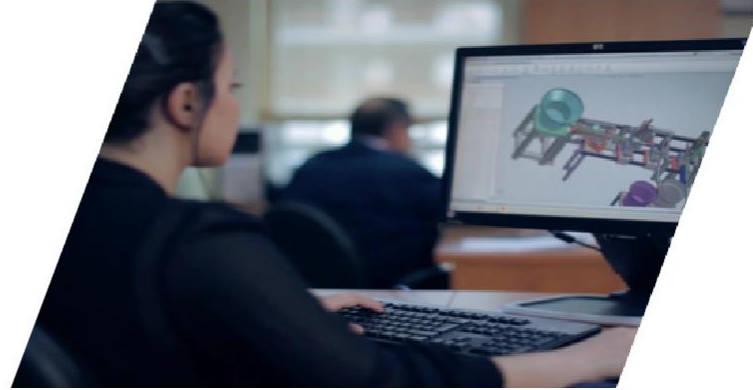
1. Part Design
2. Analysis – Simulation
3. Prototyping
4. Tool Manufacturing
5. Automation
6. Part Production



1. Part Design & Analysis

Special Project Solutions - **In-house Production**
Line Design

R&D investment 0.9% of turnover in 2021



Certified Design Office supported
by the Government



T.C.
SANAYİ VE TEKNOLOJİ BAKANLIĞI
Ar-Ge Teşvikleri Genel Müdürlüğü

Sayı : 91421154-215.01.99

Konu : Bayıru Değerlendirmeye İlişkin
Diğer İşler

DAĞITIM VERLERİNE

5746 sayılı Kanun kapsamında sağlanan teşvik ve muafiyetlerden yararlanmak üzere Tasarım Merkezi belgesi alması uygun bulunan Inka Yapı Bağlantı Elemanları San. ve Tic. A.Ş. Tasarım Merkezinin alan değişikliği talebi, Kanunun Uygulama ve Denetim Yönetmeliğinin 22. maddesi hükümleri çerçevesinde görevlendirilen İzleyici tarafından denetlenmiş olup hazırlanan izleyici raporu Değerlendirme ve Denetim Komisyonu üyelerine gönderilmiştir.

Inka Yapı Bağlantı Elemanları San. ve Tic. A.Ş. Tasarım Merkezi için talep edilen yeni alanın 5746 sayılı Kanunda öngörülen Tasarım Merkezi şartlarına uygun olduğuna Değerlendirme ve Denetim Komisyonu toplantısına katılan üyelerin oybirliği ile karar verilmiştir.

Bilgilerinizi ve gereğini rica ederim.

2. Part Design & Analysis



3D CAD
Design Software



3D CAD
Design Software



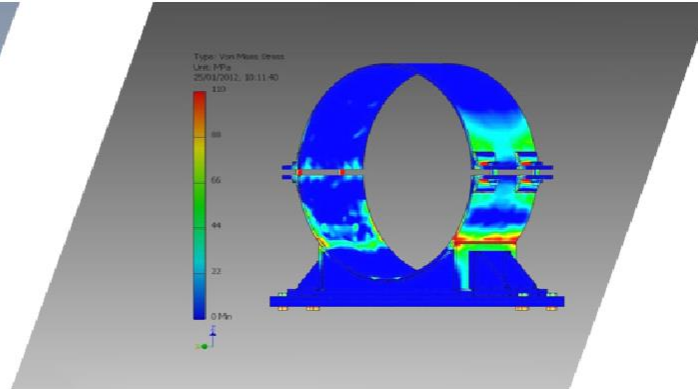
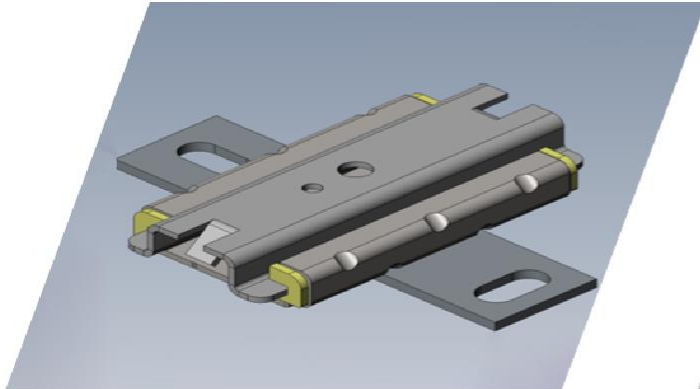
3D CAD
2D CAD
Drawing Software



Simulation
FEA Analysis



Structural Static
Analysis



3. Tool Manufacturing

Milling Machine

CNC Milling Machine

Lathe

CNC Wire Machine (Sodick)

Surface Grinding Machine

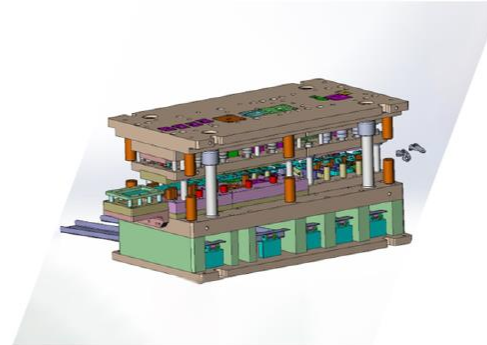
Electro Erosion



Milling Operation



CNC Milling Machine



Tool 3D Data

4. Production

Stamping

ca. 20 units of Eccentric, Bending and Cutting Presses from 400 kN to 4.000 kN

10.000 Ton Steel Processing Capacity per year



Roll Forming

3 roll formed bending units



4. Production

Welding

8 units of **Arc Welding Robots**

2.8 million parts welding capacity per year



8 units of **Projection Welding** from

120 to 220 kV

10 million parts welding capacity per year



4. Production

Coating

Electro Galvanizing lines (**hanger and drum**)
with annual capacity of **6.000 tons**



Automated Assembly

Separated and integrated assembly lines with
customized automations



4. Production

Packaging

ERP integrated packaging with Barcode Tracking System

Automatic 6 different pallets stacking at the same time



INKA
FIXING SYSTEMS

LOT NUMBER:

Made in Türkiye
www.inkafixing.com

4" INKA Standard Pipe Clamp
w/ Combi Nut w/ Rubber

M8/M10 IKKS100
25x
4"



110-116 8 698879 012891



Quality

IATF 16949 Certified Quality Management System

Effective Quality Control support throughout production stages and process with detailed technical analysis techniques and state of art equipment

- Incoming Control
- ERP System
- Traceability
- Control Plan
- SPC
- MSA
- External / internal Audit



Test Lab

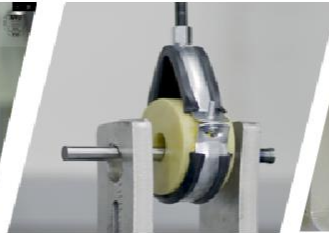
Quality



GNR Chemical Analysis Device
Detection of Element Composition



Metal Microscope
Microscopic View



Tensile Test Device
Strengths Characteristic



Vickers Hardness Test Device
Hardness Characteristic



Salt Spray Test Device
Corrosion Determination

GNR Chemical Analysis Device

Metal Microscope (1-1000x)

Tensile Test Device (0-300 kN)

Vickers Hardness Test Device (Hv1-Hv50)

Sample Preparation Set

Optical Scanning and GOM Inspect

Salt Spray Test Device

INKA at a Glance

We have a qualified team of engineers with many years of professional experience in Installation Technology. From the first draft to the finished product, INKA is at your side as a fully-fledged development partner.

We guarantee a high quality standard by testing according to certified guidelines that ensure traceable and consistent quality.

We manufacture components in highly automated processes with our acquired know-how, taking into account the standards mentioned above. INKA's ERP-supported supplier management guarantees delivery on the agreed date.



THANK YOU

